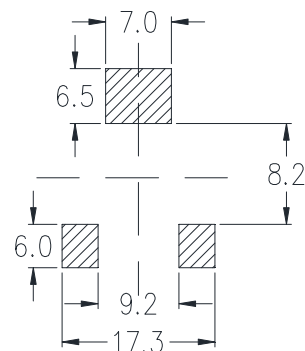
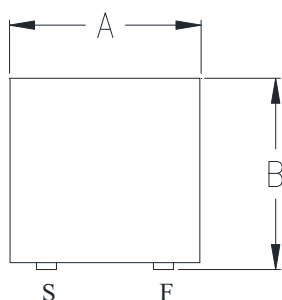


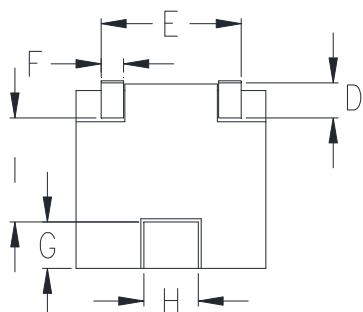
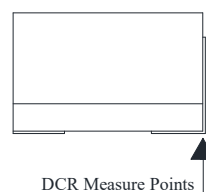
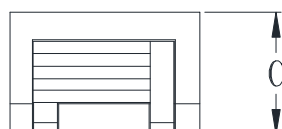


## DELTA P/N : HMP2015L Series

### Mechanical dimensions



Suggested PWB Layout (UNIT:mm)



UNIT : mm

A = 20.0 MAX

B = 20.5 MAX

C = 13.65±0.4

D = 4.0±0.5

E = 15.8±0.5

F = 2.5±0.3

G = 5.5±0.3

H = 5.5±0.3

I = 9.7±1.0

### Electrical Characteristics: @25°C, 100kHz, 1V

Delta P/N	L <sup>1</sup> (uH)	Li (uH)	DCR (mΩ) MAX	Isat <sup>2</sup> (A)	Ir <sup>3</sup> (A)
HMP2015L-6R8	6.8	4.9	3.0	33.5	29

1. Tolerance of inductance : ± 10%
2. Isat is the DC current which causes the inductance drop not less than Li
3. Ir is the DC current which causes the surface temperature of the part increase approximately 45 °C.
4. Operating temperature: -40°C to 125°C (Self-temperature rise included).